

# MetaCenter TX

**Sullivan-Palatek®**

**Identification:** MetaCenter TX  
**Part number:** Refer to Product guide / price list for specific part number or contact dealer  
**Product Family:** MetaCenter  
**Function:** Web host interface & communication gateway  
**Web host interface:** MetaCenter system HTML / Java screens accessible using a personal computer connected to MetaCenter TX via IP and either Internet Explorer 7+ or Mozilla Firefox 2+  
**Definition:** Host controller providing Ethernet CAT 5e: 10/100Mbps (RJ45) connectivity to internally hosted HTML / Java software, accessible using a personal computer via IP and either Internet Explorer 7+ or Mozilla Firefox 2+  
**Software:** Pre-programmed application software  
**Supported protocol:** IP, **AirBUS** & Modbus RTU

**Product overview:**

MetaCenter TX is a dedicated host controller, providing remote access to HTML / Java based MetaCenter system visualisation screens.

MetaCenter system visualisation screens are accessible using a personal computer connected to MetaCenter TX via IP and either Internet Explorer 7+ or Mozilla Firefox 2+. For detailed information about HTML / Java based MetaCenter system visualisation screens, please refer to Factsheet T43.1

MetaCenter TX supports both email & SMS event driven output communications. Event output conditions including regular efficiency report outputs via Email are configurable via the HTML / Java based MetaCenter system visualisation screens and a personal computer. Email events are routed over IP and an accessible email sever. SMS events are routed via MetaCenter TX's 56Kbps analogue modem, an accessible telephone socket / line and a SMS message handling bureau.

MetaCenter TX supports mass data storage of MetaCenter system data ('CSV' file types) and Enersoft analysis efficiency data. MetaCenter system data and Enersoft analysis efficiency data is stored for exporting either locally via the MetaCenter TX's USB-B socket or using TFTP software located on a remote personal computer connected to MetaCenter TX via IP. CSV file types can be opened and viewed in any compatible software product (e.g. Microsoft Excel). LGA file types can be opened and viewed in Enersoft analysis (See T44 for further information about Enersoft analysis).

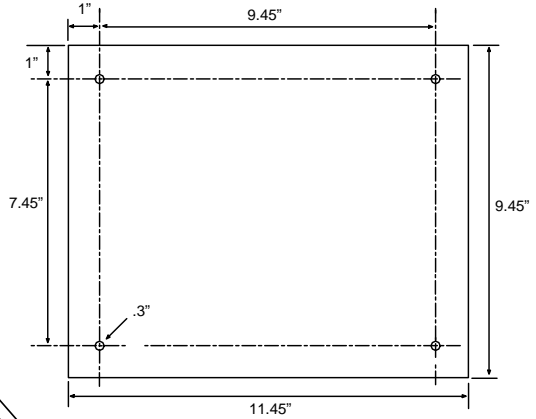
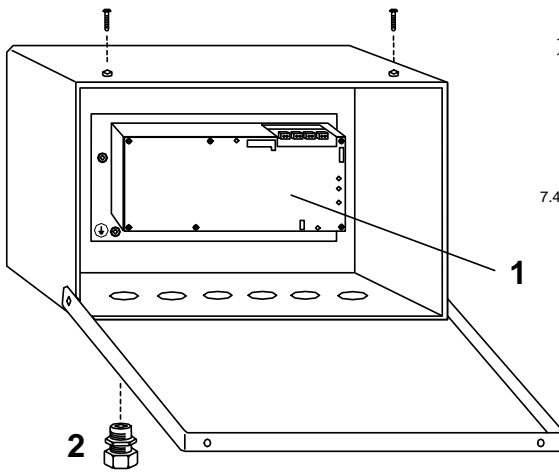
**!** TFTP software & / or Enersoft analysis software are not supplied with MetaCenter TX and must be sourced / purchased separately.

MetaCenter TX supports MODBUS communications between a MODBUS Master connected via sockets X04 / 05 of the MetaCenter TX and other MetaCenter hardware connected and suitably configured to sockets X02 / X03 of the MetaCenter TX.

**!** MODBUS support & MODBUS tables are not supplied with MetaCenter TX and must be sourced / purchased separately.

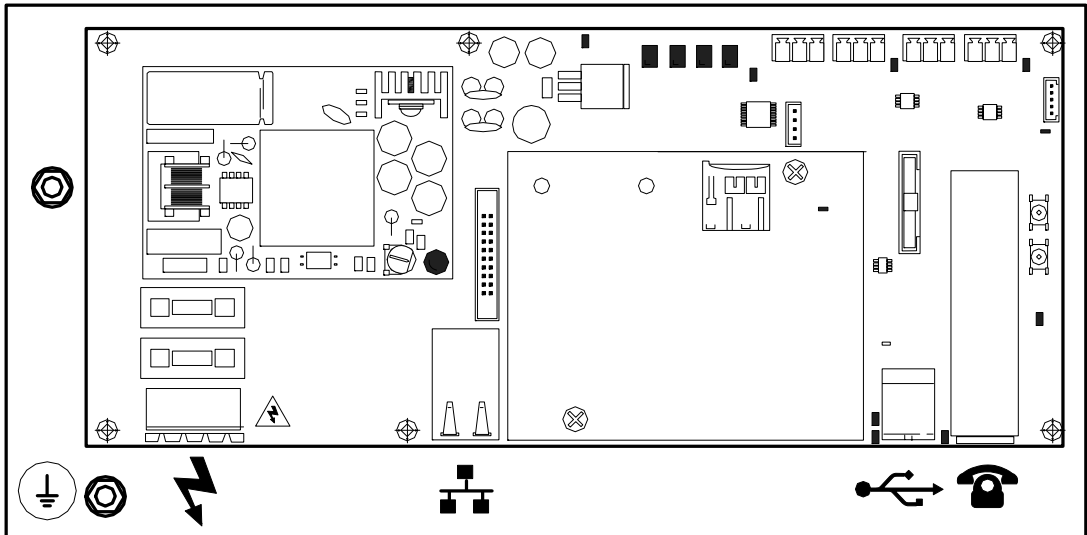


Identification: MetaCenter TX  
 Part number: Refer to Product guide / price list for specific part number or contact dealer  
 Product Family: MetaCenter  
 Function: Web host interface & communication gateway  
 Software: Pre-programmed application software  
 Protocol: IP, **Airbus<sup>RS485</sup>** & Modbus RTU  
 Ext. memory: Micro SD up to 2GB  
 Supply / Power: 230Vac +/- 10%, 115Vac +/- 10%, 60VA  
 Enclosure rating: IP54 / NEMA12  
 Access: Front, lockable, hinged access panel  
 Weight: 14lb (6.5kg)  
 Dimensions: Height: 9.45" (241mm) x Width: 11.45" (291mm) x Depth: 6" (152mm)  
 Mounting: Wall, 4 x screw fixing  
 Temperature: Min 14°F (-10°C), Max 115°F (+46°C)  
 Humidity: 95% RH non-condensing  
 Cable entry: Bottom, gland cable entry system  
 Approvals: CE, UL, cUL,



**Item / Description:**

- 1 Unit, TX Module (pictured above, internal layout below)
- 2 Gland, Set – PG 13.5



**Airbus<sup>RS485</sup>**

